



Sovitron Interior Pvt.Ltd.



**Model Name**

SILAS-WL3 Wall Light/ DL-OMT-10151-20

**Description**

Wall light

**Technical description**

**Image**

**Dimension**

Dia=150mm  
H=200mm

**Frame**

Aluminium Die-cast

**Color Tempertaure**

3000K

**Power**

20W

**Total Luminous Flux**

1600 lm

**Efficacy**

80 lm/W

**IP rating**

65

**Beam angle**

12/24/36/60 Degree

**Color Rendering**

≥80

**Mounting**

Surface

**Optics**

Glass Lens

**Dimming**

NON-Dimmable

**Operating Voltage**

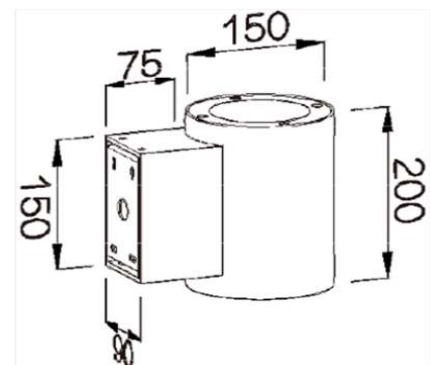
220-240 VAC

**Standard Lifetime**

L70 minimum at 50,000  
burning hours



**Dimension diagram**



**Remarks:-**

Address: Plot #7 Saroorpur-Nangla Industrial Area, Ballabgarh-Sohna Road, Faridabad-121005

Email: [info@sovitron.com](mailto:info@sovitron.com)